

**EUROmodul d.o.o.**  
Blazici 25,  
51216 Viskovo  
Croatia

tel: + 385 51 257 275  
fax: + 385 51 258 472

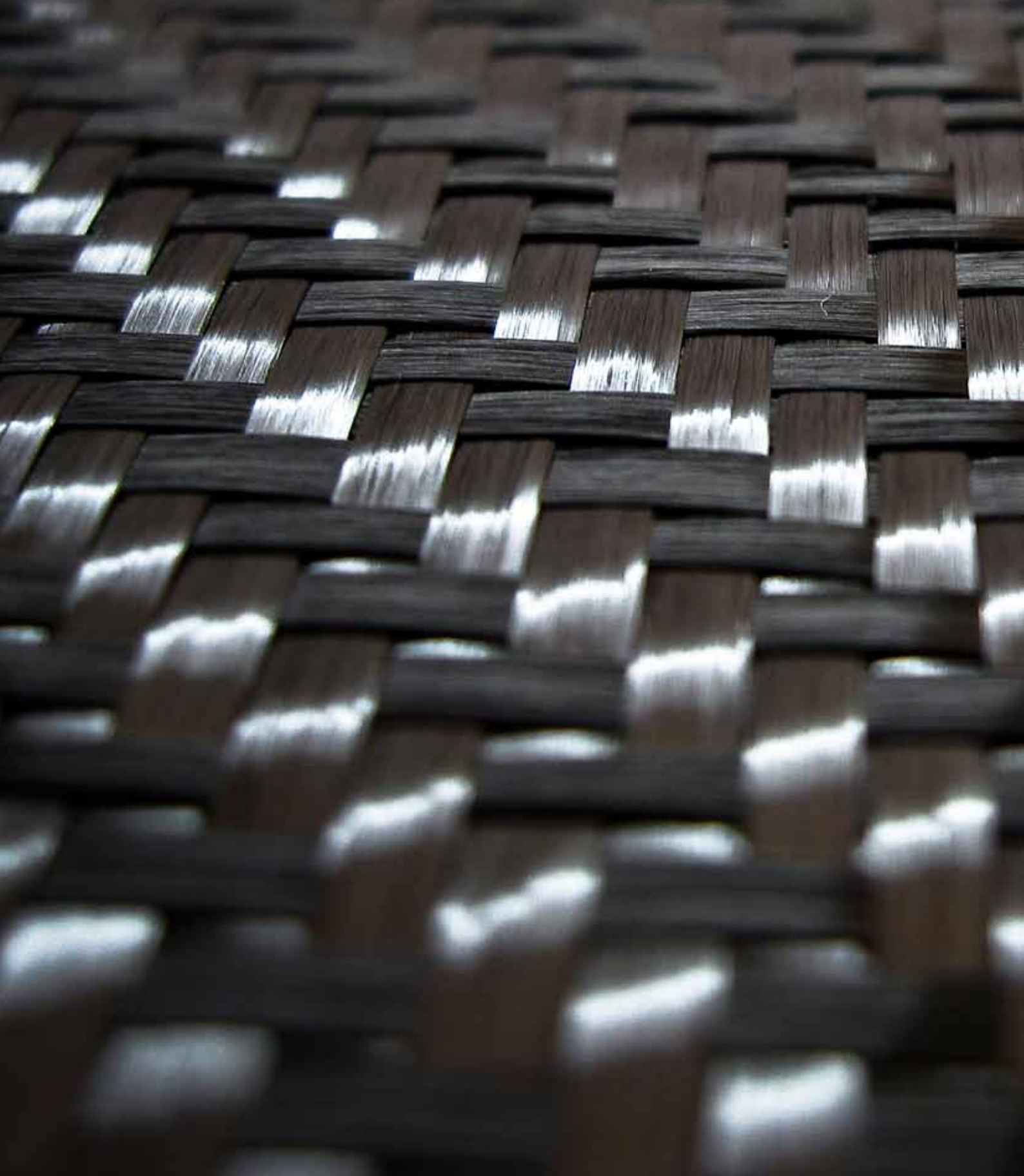
[www.euromodul.org](http://www.euromodul.org)  
[info@euromodul.org](mailto:info@euromodul.org)

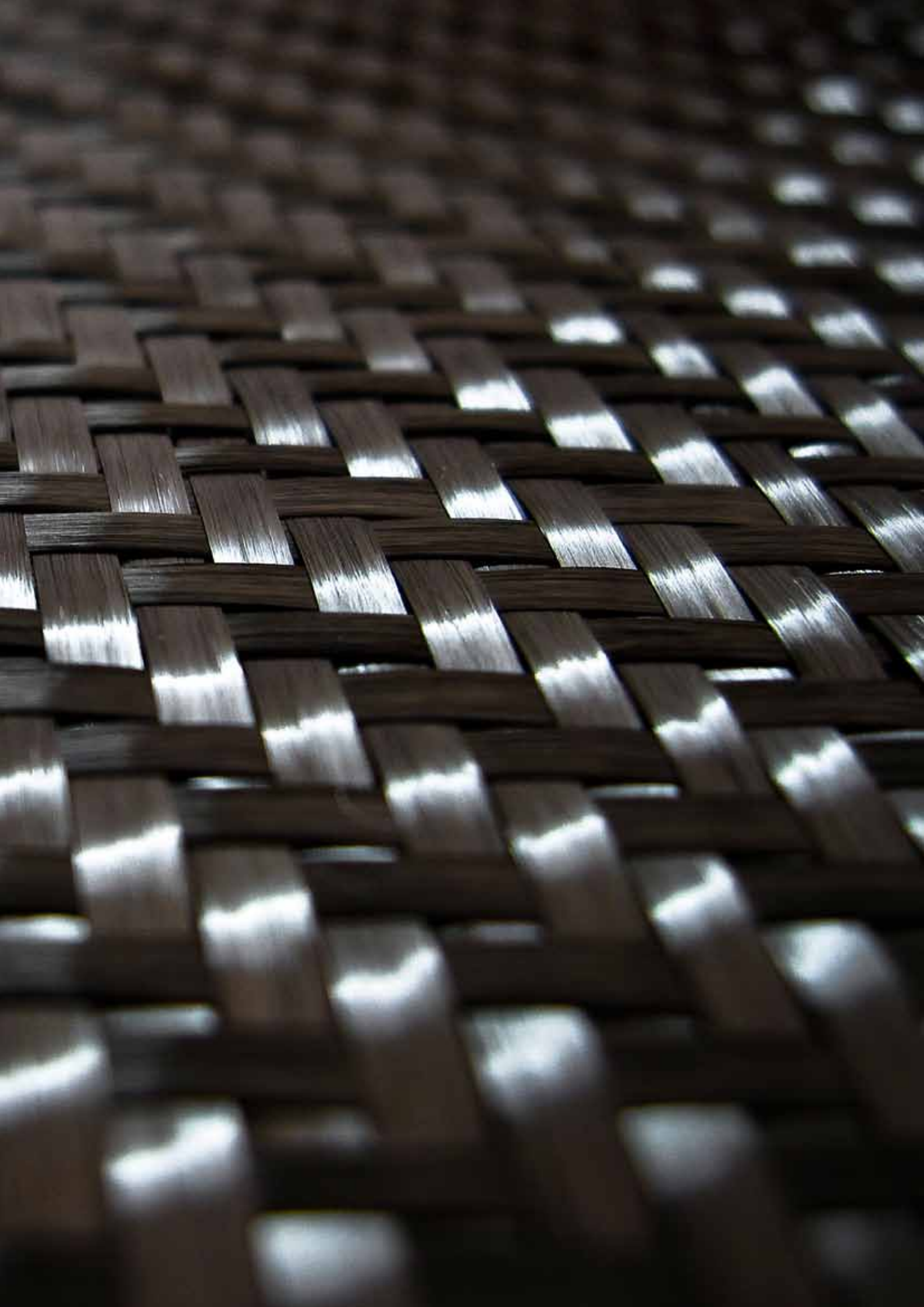
**EUROmodul**  
STREET FURNITURE

**CARBON**.EDITION

# CARBON FIBER

WHEN THE UNIVERSE WAS DARK, AN ELEMENT AROSE OVER MILLIONS OF YEARS, UNDER EXTREME PRESSURE EXCEPTIONAL MATERIAL IS BORN! HIGHLY COMPLEX, PRESENT IN ALL KNOWN LIFE FORMS, CARBON FIBER





# CARBON

## STREET FURNITURE COLLECTION

### Karlo Babić

After music composer career and released 25 Lp`s for famous electronic music world labels as Compound, Bound, Native Diffusion, etc..Karlo got deep into industrial puristic design.

As founder of EUROmodul Design Studio, his creativity followed the design of several hundred products as self-cleaning automatic toilets, benches, litter bins, info kiosks, info pillars and various other types of street furniture.

Having just 25 years, Karlo established cooperation with Ziegler Metall GmbH which opened possibilities of introduction of new ideas over the streets of Europe.



**red dot design award**  
product design 2010

For his recent AETERNA COLLECTION street furniture collection in 2010, Karlo won the prestigious, world famous REDDOT design award

EDITION



## EAU ROUGE

### Construction

Hot zined steel power coated in RAL 7016 or stainless steel AISI 304 / 316, cover laminated in carbon fiber 3M foil.

### Laths

Matt black aluminium

### Fill and empty method

Collecting waste in plastic bag inside bin, discharge with stainless steel lock and key

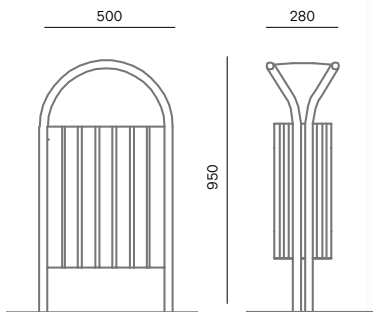
### Mountage

In concrete or plate with screws

### eXceptional series

## Litter bin EAU ROUGE

construction	volume	code
antracit RAL 7016	approx. 45 lit	335.200
stainless steel AISI 304	approx. 45 lit	335.205



## TAMBURELLO

### Construction

Hot zined steel power coated in RAL 7016 or stainless steel AISI 304 / 316, laminated in carbon fiber 3M foil.

### Fill and empty method

Collecting waste in plastic bag inside bin, discharge with stainless steel lock and key

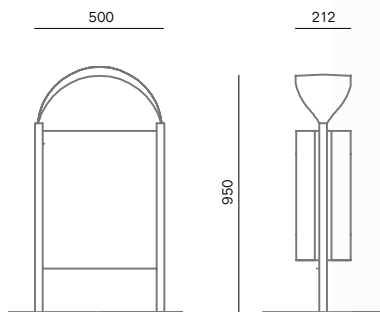
### Mountage

In concrete or plate with screws

### eXceptional series

### Litter bin TAMBURELLO

construction	volume	code
antracit RAL 7016	approx. 35 lit	338.200
stainless steel AISI 304	approx. 35 lit	338.205



**MULSANNE**

**Construction**

Stainless steel AISI 304. Carbon fiber 3M foil laminated hat and bin.

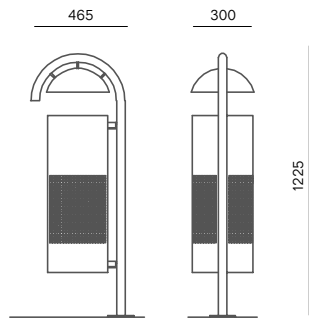
**Fill and empty method**

Collecting waste directly in bin, discharge with stainless steel lock and key

**Mountage**

In concrete or plate with screws

**eXceptional series**



**Litter bin MULSANNE**

construction	volume	code
carbon fiber 3M / stainless steel	approx.45 lit	306.200
carbon fiber 3M / antracit RAL 7016	approx. 45 lit	306.205



## LOEWS

### Construction

Hot zinced steel laminated in carbon fiber 3M foil. Matt black color of bottom part for mounting bin

### Fill and empty method

Collecting waste in metal cartridge, discharge with stainless steel lock and key

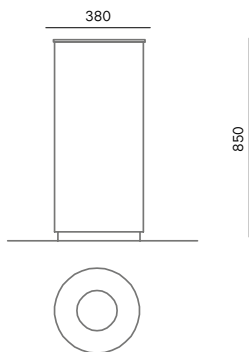
### Mountage

In concrete or plate with screws

### eXceptional series

### Litter bin LOEWS

construction	volume	code
hot zinced steel / carbon fiber	approx. 45 lit	340.200



A scenic view of a harbor. In the foreground, a concrete ledge runs across the bottom. The middle ground is filled with blue water. A blue boat with a white cabin is docked on the left. In the background, a large, multi-story yellow building with many windows and balconies stands on the shore. The text "FEEL THE DIFFERENCE" is centered in the water.

**FEEL THE DIFFERENCE**



## PARABOLICA

### Construction

Hot zinced steel power coated in RAL 7016 or stainless steel AISI 304 / 316

### Leasure seating

Special arched laminate laminated in carbon fiber 3M foil.

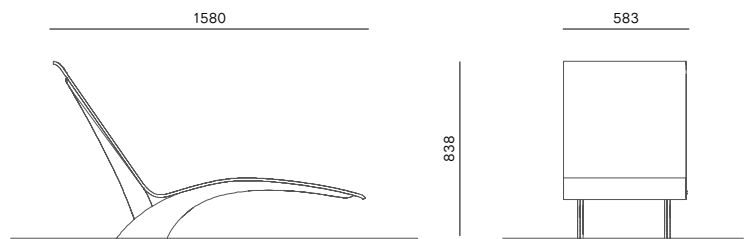
### Mountage

In concrete or plate with screws

### eXceptional series

## Bench PARABOLICA

construction	lenght	code
antracit RAL 7016	oneseater	242.100
	segment*	242.101
stainless steel AISI 304	oneseater	242.105
	segment*	242.107



## RAIDILLON

### Construction

Hot zinc coated steel powder coated in RAL 7016 or stainless steel AISI 304 / 316

### Seat and back support

Special arched laminate laminated in carbon fiber 3M foil.

### Variations

two seat, three seat, four seat or connected in line more seats

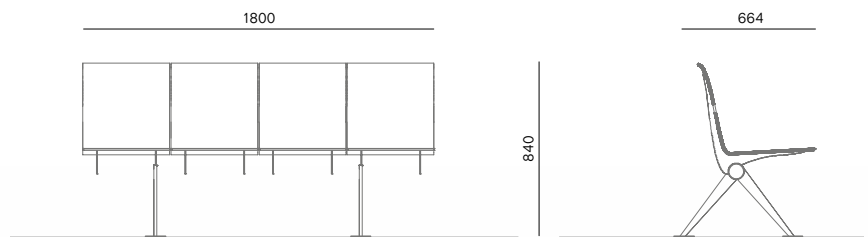
### Mountage

In concrete or plate with screws

### eXceptional series

### Bench RAIDILLON

construction	length	code
antracit RAL 7016	two seater	243.100
	three seater	243.101
	four seater	243.102
	segment*	243.103
stainless steel AISI 304	two seater	243.105
	three seater	243.107
	four seater	243.108
	segment*	243.109



## RASCASSE

### Construction

Hot zined steel power coated in RAL 7016 or stainless steel AISI 304 / 316

### Seating

Special arched laminate laminated in carbon fiber 3M foil.

### Variations

twoseat, threeseat, fourseat or connected in line more seats

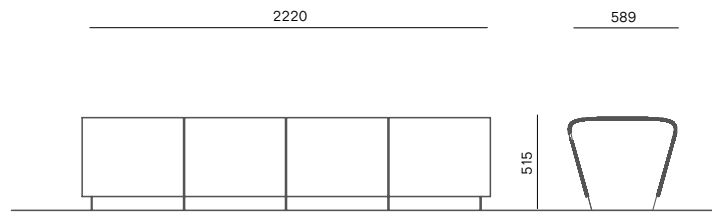
### Mountage

In concrete or plate with screws

### eXceptional series

## Bench RASCASSE

construction	length	code
antracit RAL 7016	oneseater	244.100
	twoseater	244.101
	threeseater	244.102
	fourseater	244.103
stainless steel AISI 304	segment*	244.104
	oneseater	244.105
	twoseater	244.107
	threeseater	244.108
	fourseater	244.109
	segment*	244.110



## RASCASSE

### Construction

Hot zined steel power coated in RAL 7016 or stainless steel AISI 304 / 316

### Seating with backsupport

Special arched laminate of backsupport, seating laminated in carbon fiber 3M foil.

### Variations

twoseat, threeseat, fourseat or connected in line more seats

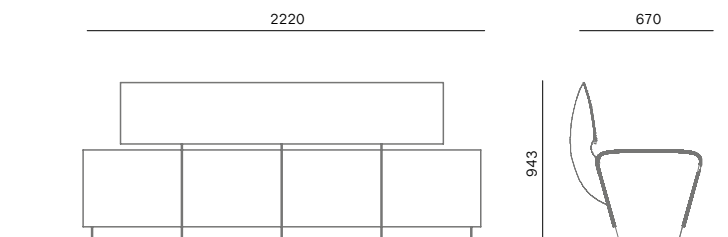
### Mountage

In concrete or plate with screws

### eXceptional series

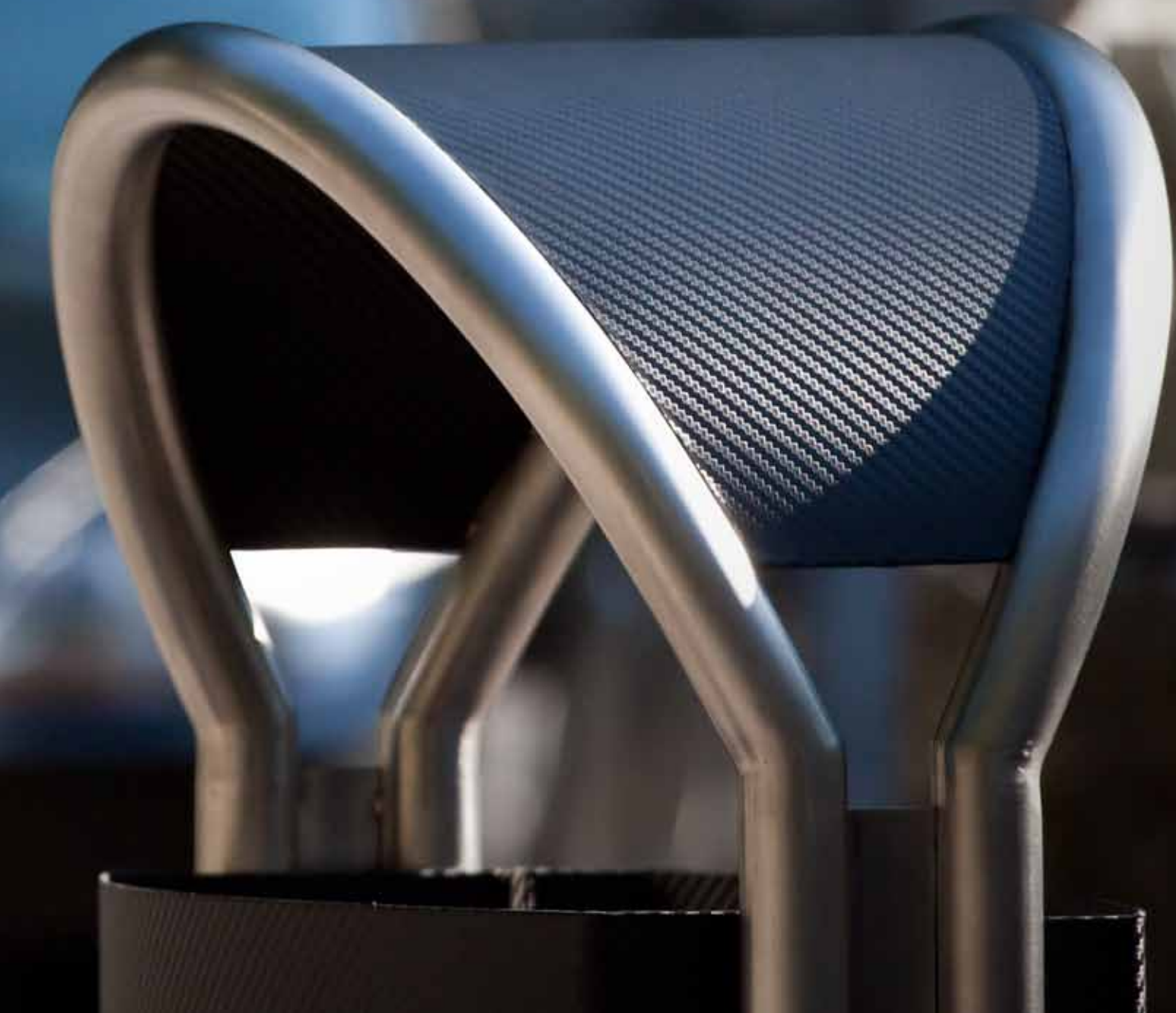
### Bench RASCASSE with back support

construction	lenght	code
antracit RAL 7016	oneseater	244.100
	twoseater	244.101
	threeseater	244.102
	fourseater	244.103
	segment*	244.104
stainless steel AISI 304	oneseater	244.105
	twoseater	244.107
	threeseater	244.108
	fourseat	244.109
	segment*	244.110





QUALITY YOU CAN SEE



## HAIRPIN

### Construction

Hot zinc coated steel power coated in RAL 7016 and laminated in carbon fiber 3M foil.

### Dimensions without bench

d x h = 2170 x 650

### Dimensions with bench

d x h = 2520 x 650

### Equipment

Bench stainless steel AISI 304 or hot zinc coated steel power coated in RAL 7016

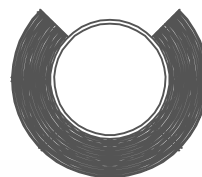
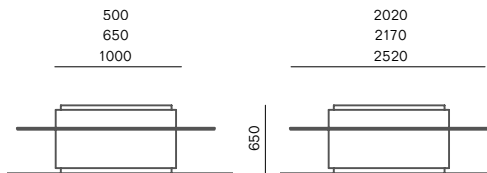
### Mountage

Directly on surface

### eXceptional series

## Flower bin HAIRPIN

construction	diameter	code
antracit RAL 7016 ili po izboru	2020 mm	652 200
	2170 mm	652 205
	2520 mm	652 210
inox AISI 304	2020 mm	652 215
	2170 mm	652 220
	2520 mm	652 225



## SACHS

### Construction

Hot zinced steel power coated in RAL 7016 laminated in carbon fiber 3M foil.

### Dimensions

l x w x h = 1948 x 1192 x 742 mm

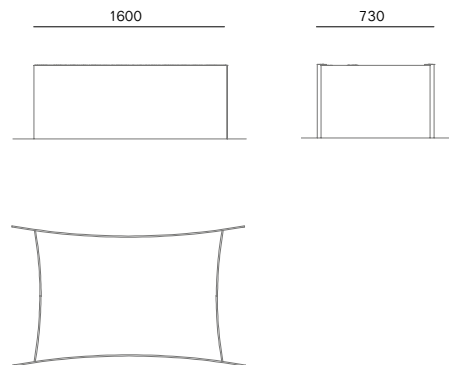
### Mountage

Directly on surface

### eXceptional series

### Flower bin SACHS

construction	dimensions	code
hot zinced steel	1948 x 1192 x 742 mm	656.100
inox AISI 304	1948 x 1192 x 742 mm	656.105



## ARNAGE

### Construction

stainless steel AISI 304  
laminated in carbon fiber 3M foil.

### Placate dimensions

W x h = 1185 x 1745 mm

### Doors

Zincd construction, safety glass 5 mm with glass print, 2 shock absorbers on each door, special stainless steel lock with key. Glass panel till the bottom part.

### Illumination

4 x 58W longlife fluo tubes,  
milk acrylate 4 mm for even light dispersion

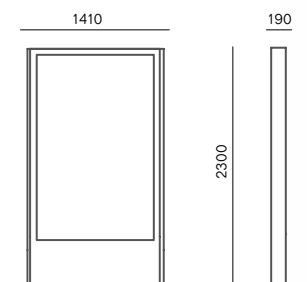
### Mountage

Before mountage, steel anchor is layed in concrete with 3 x 2,5 mm power cable according to specifications.

### Options

Vitrine can be made upon request with digital clock and date

### eXceptional series



## City light ARNAGE

construction	type	advertising surface	code
antracit RAL 7016 or on request	onesided	fixed	821 101
		ROTATING	821 102
	twosided	bothside fixed	821 201
		fixed / ROTATING	821 202
stainless steel AISI 304	onesided	bothside ROTATING	821 203
		fixed	821 301
	twosided	ROTATING	821 302
		bothside fixed	821 401
		fixed / ROTATING	821 402
		bothside ROTATING	821 403



## KARUSSELL

### Construction

stainless steel AISI 304  
laminated in carbon fiber 3M foil.  
bottom construction stripes  
painted in matt black color

### Placate dimensions

W x h = 1185 x 1745 mm

### Doors

Zincd construction, safety  
glass 5 mm with glass print,  
2 shock absorbers on each  
door, special stainless steel  
lock with key

### Illumination

4 x 58W longlife fluo tubes,  
milk acrylate 4 mm for even  
light dispersion

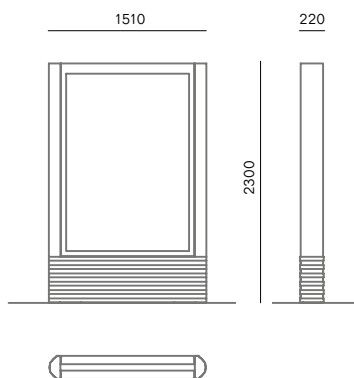
### Mountage

Before mountage, steel  
anchor is layed in concrete  
with 3 x 2,5 mm power cable  
according to specifications.

### Options

Vitrine can be made upon  
request with digital clock  
and date

### eXceptional series



## City light KARUSSELL

construction	type	advertising surface	code
antracit RAL 7016 or on request	onesided	fixed	809 501
		ROTATING	809 502
		bothside fixed	809 501
	twosided	fixed / ROTATING	809 602
		bothside ROTATING	809 603
		fixed	809 701
stainless steel AISI 304	onesided	ROTATING	809 702
		bothside fixed	809 801
		fixed / ROTATING	809 802
	twosided	bothside ROTATING	809 803



## Carbon fibre **3M** foil

Manufactured using genuine plain weave carbon fibre fabric this top quality flexible carbon fibre sheet is perfect for many applications, where a carbon fibre finish is required without the need for the structural properties of conventional cured carbon fibre. Obvious applications include scuff and scratch protection.

The material is very flexible and can be shaped to follow most contours. The genuine 3M backing is very strong and durable and will provide a permanent bond even when exposed to the elements and daily use.

The properties of carbon fiber such as high tensile strength, low weight, and low thermal expansion make it very popular in aerospace, civil engineering, military, and motorsports, along with other competition sports.

### SPECIFICATION Carbon Fiber 3M foil

Surface Finish High Gloss

Weave 2/2 Twill (7 picks/cm)

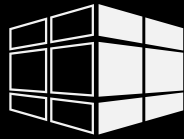
Composition Flexible Clear Polymer | Genuine Plain Weave Carbon Fibre Fabric | Flexible

## Carbon fiber use in street furniture

EUROmodul is the first company who is introducing this exceptional, highly complex material in the world of street furniture. Our goal is bringing closer carbon material look in every day life on streets.

With this unique design combination of stainless steel and carbon fiber 3M foil, your city will become modern and exceptional.

**CARBON**.EDITION  
STREET FURNITURE COLLECTION



STREET FURNITURE